

Q6 Series

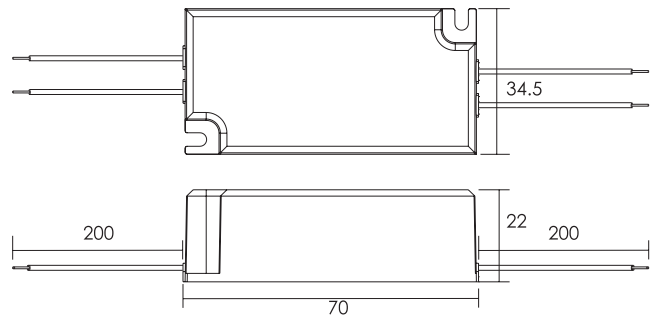
Constant Current LED Driver

LED恒流驱动器

Features:

- Constant current driver
- Super compact design
- Primary and secondary sides come with leads
- Protections: opencircuit, shortcircuit, overload, overtemperature
- Lead length 200mm
- Simple installation
- IP65 design

- 恒流型驱动
- 超小体积紧凑设计
- 输入和输出端引线型
- 输出开路, 短路, 过载和超温保护
- 输入/输出线长200mm
- 安装经济便捷
- IP65防护等级



Parameters:

Model No. 型号	Input voltage 额定电压 (V)	Max. output 功率 (W)	Output current 输出电流 (mA)	Output voltage 输出电压 (V)	Power factor 功率因数 (λ)	Efficiency full load 效率 (%)	No-load power 空载功率 (W)	Ambient temperature 环境温度 ta (°C)	Max. casing temperature 最大外壳温度 tc (°C)	Isolation 隔离	Dimensions LxWxH 尺寸 (mm)	Weight 重量 (g)
Q6-260mA-10W	100-240	10	260	14-40	0.95	83	<0.5	-20...+50	80	SELV	70x34.5x22	80
Q6-300mA-10W	100-240	10	300	12-34	0.95	83	<0.5	-20...+50	80	SELV	70x34.5x22	80
Q6-350mA-10W	100-240	10	350	10-32	0.95	82	<0.5	-20...+50	80	SELV	70x34.5x22	80
Q6-500mA-10W	100-240	10	500	7-21	0.95	82	<0.5	-20...+50	80	SELV	70x34.5x22	80
Q6-700mA-10W	100-240	10	700	5-15	0.95	73	<0.5	-20...+50	80	SELV	70x34.5x22	80